




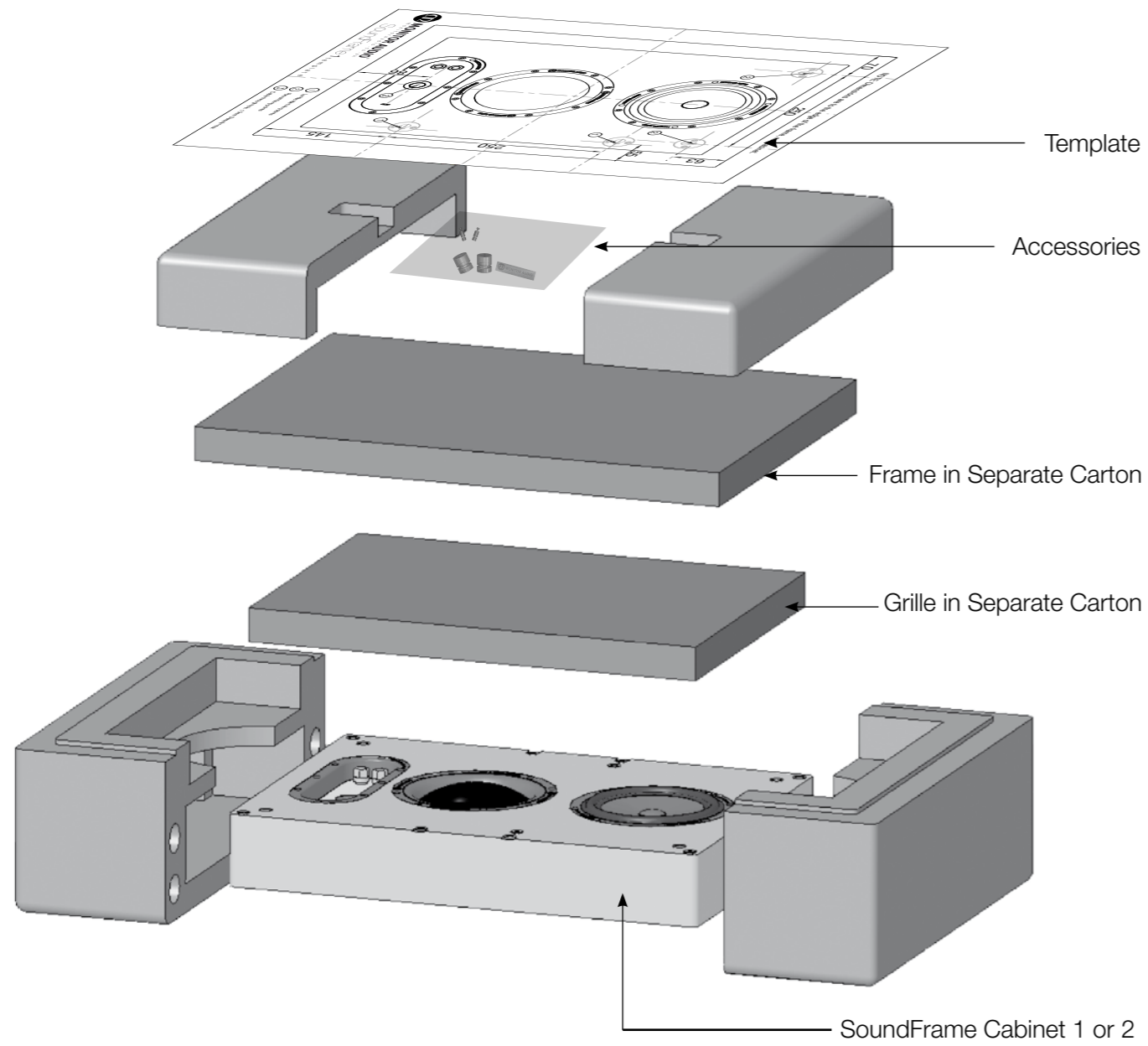


# SoundFrame 1 & 2

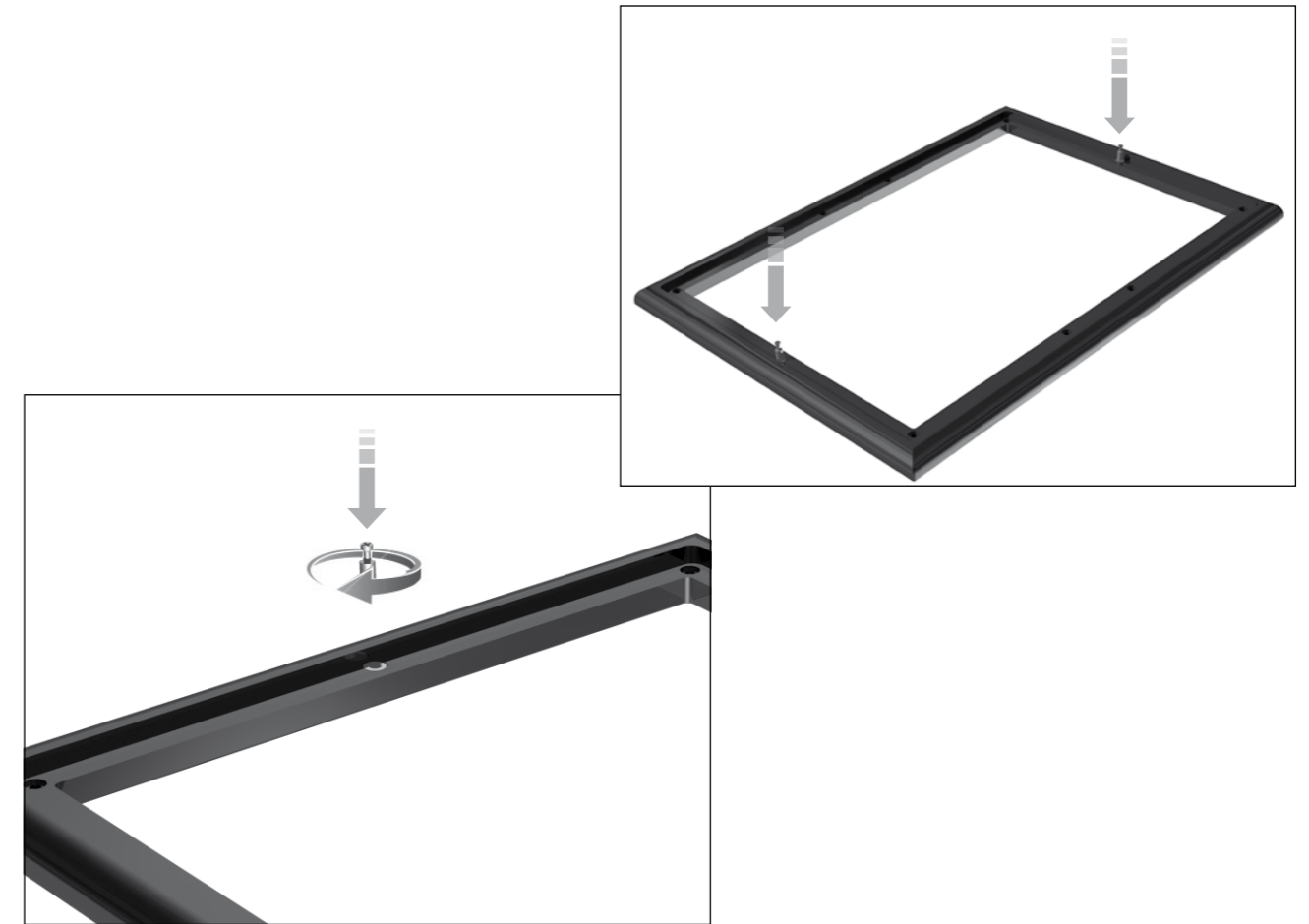
Installation Information

In the box.

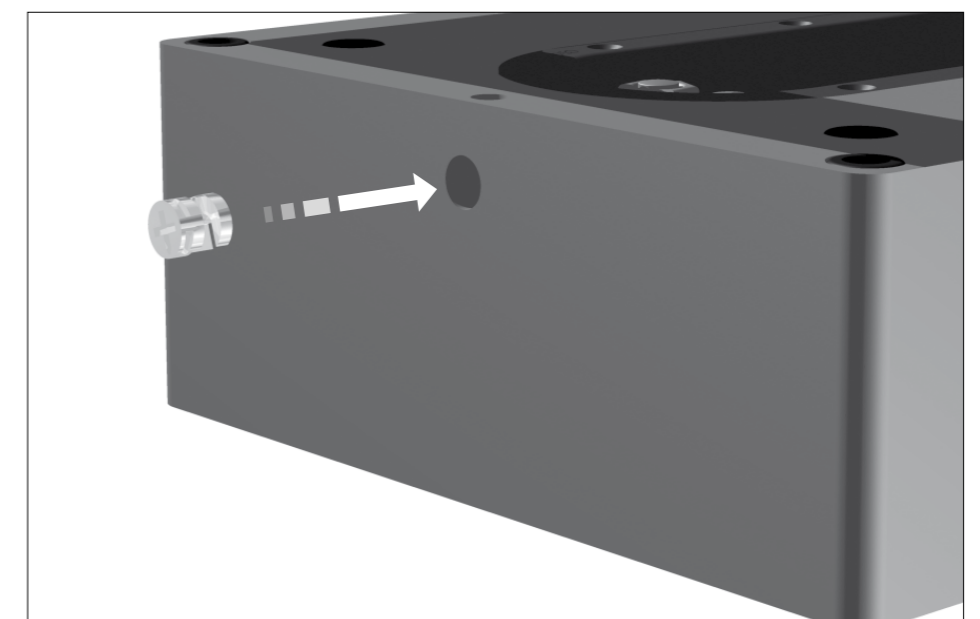
	x1
	x2
	x2



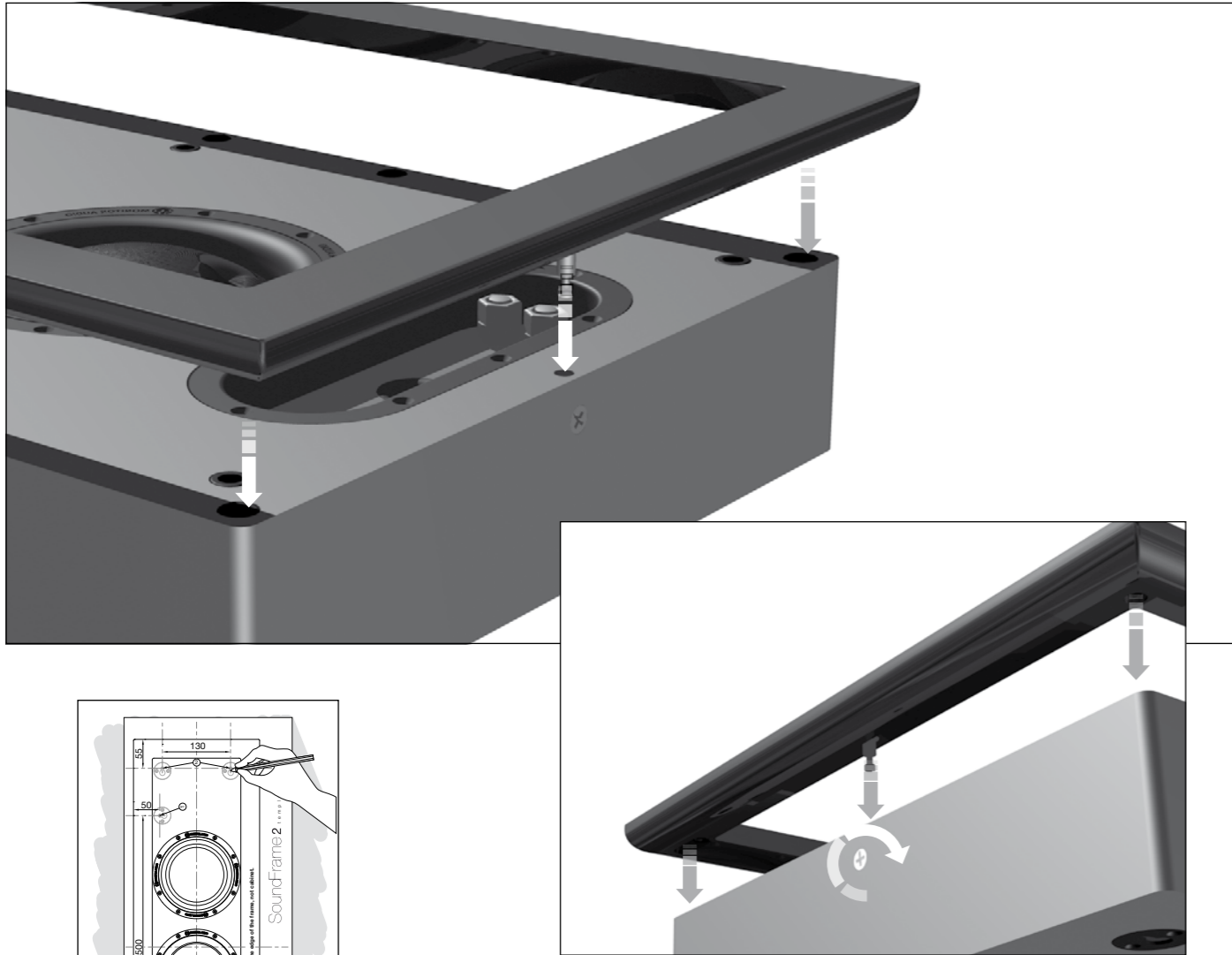
## 1 Fix the pegs to the frame



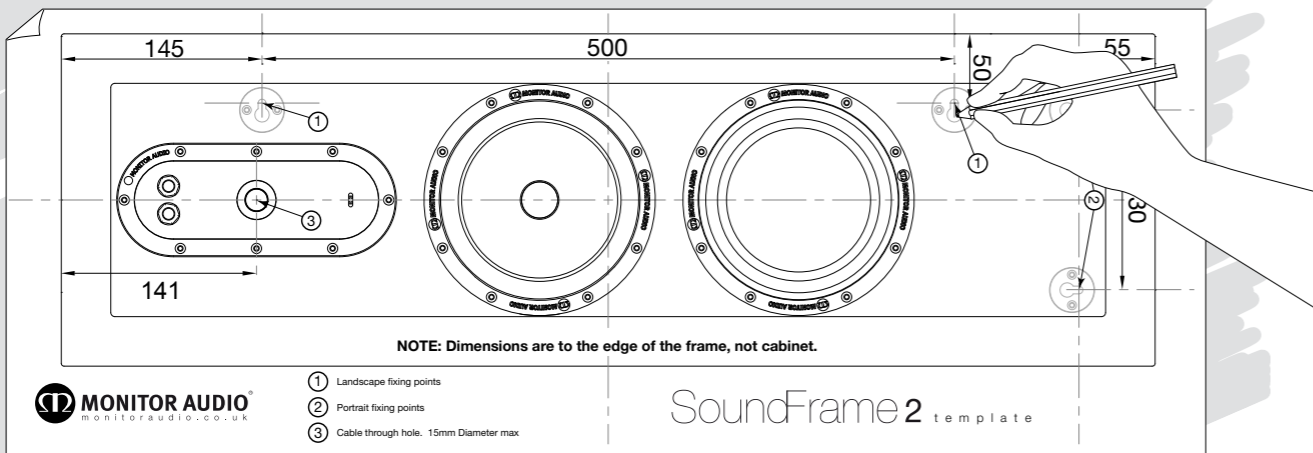
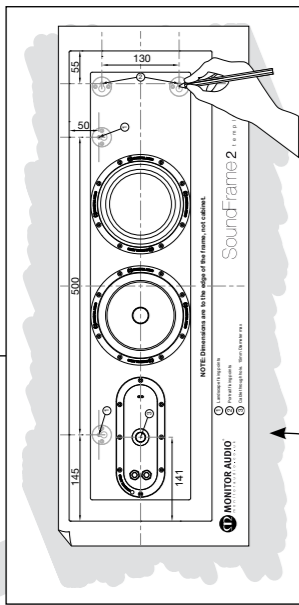
## 2 Cam Lock



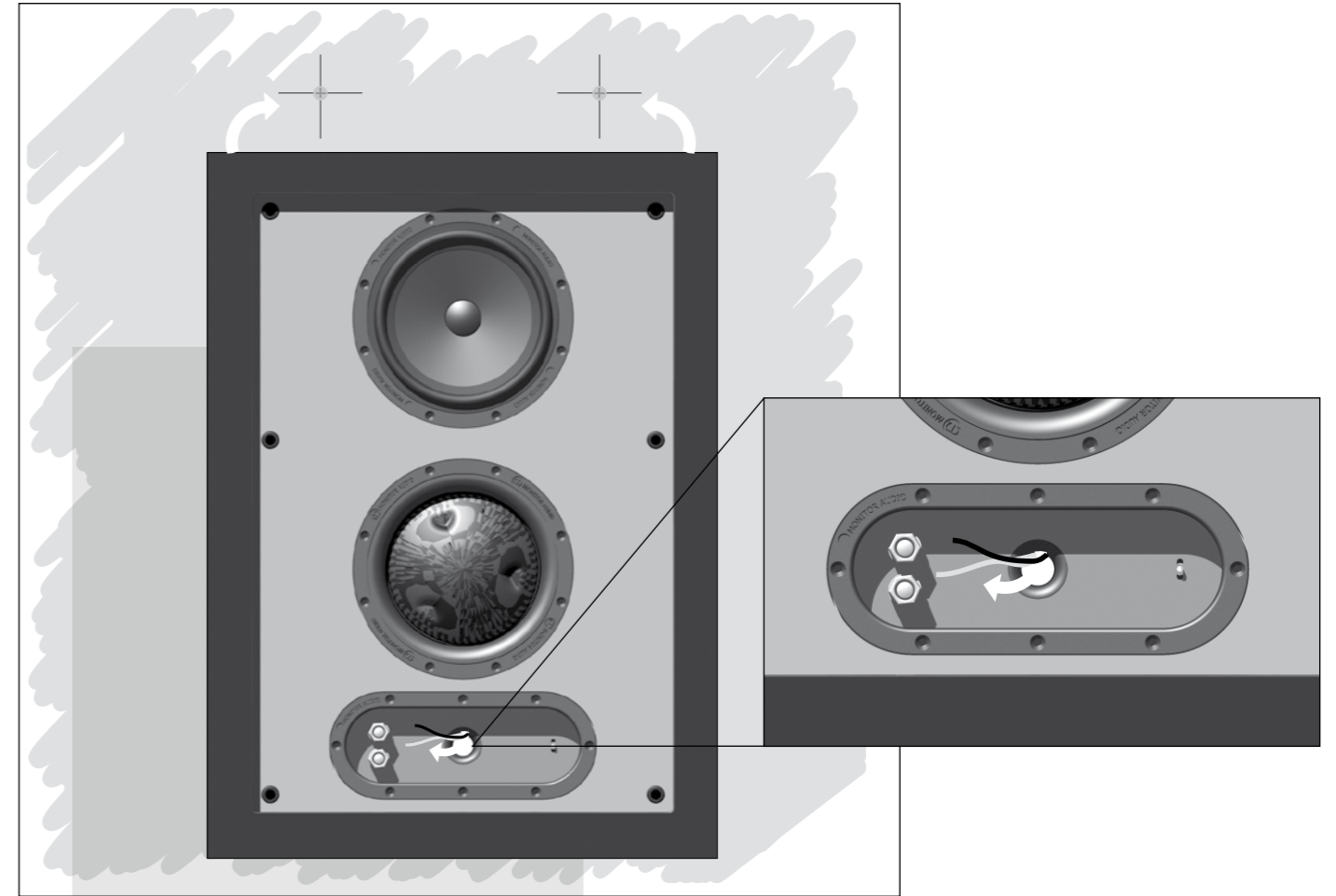
### 3 Attach frame to cabinet



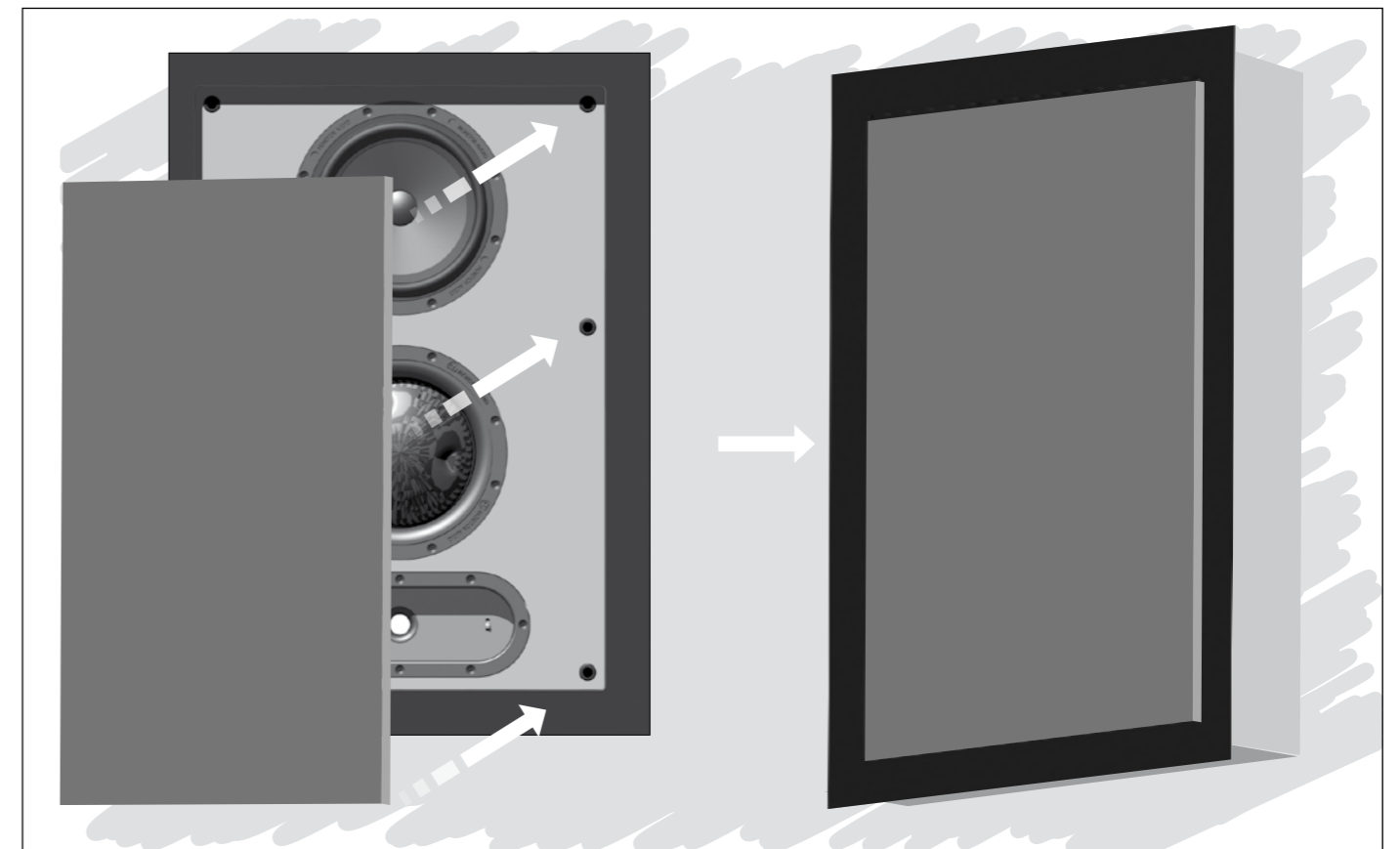
### 4 Mark wall using template before drilling & attaching fixings



### 5 Feed wires through back and hang cabinet



### 6 Fit Grille



# SoundFrame Series Specifications:

## Specifications

Frequency Response

Sensitivity

System Configuration

Driver Compliment:

Nominal Impedance

Maximum SPL (each @1M)

Recommended Amplifier Requirements (R.M.S). Watts

Bass Alignment

Power Handling (RMS)

Crossover Frequency

Overall Dimensions (including frame)  
(H x W x D)

Weight (kg)

Finishes

## Sound Frame 1

55Hz – 35KHz

86dB

3 way

1 x 6.5" C-CAM® mid/bass driver with RST®II technology.

1 x 4" IDC® mid-range driver with dual concentric 25mm C-CAM® gold dome tweeter.

8 Ohms

106 dBA

25-100

Sealed Box

100

550Hz & 3.3KHz

539 x 389 x 87.5mm  
(21 1/4" x 15 1/4" x 3 7/16")

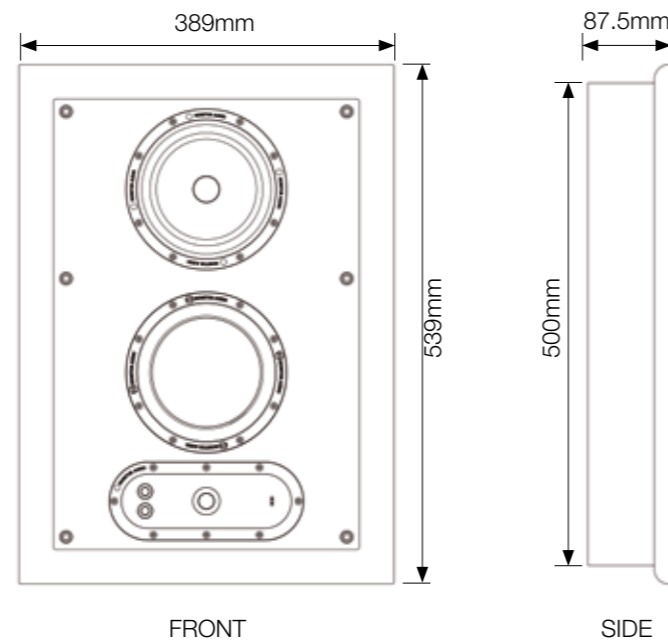
7.44kg

\*Matt white cabinet with white high gloss piano lacquer frame.

\*Matt black cabinet with black high gloss piano lacquer frame.

\*Matt white cabinet with white primed frame (paint-able).

White Lacquer    Black Lacquer



## Specifications

Frequency Response

Sensitivity

System Configuration

Driver Compliment:

Nominal Impedance

Maximum SPL (each @1M)

Recommended Amplifier Requirements (R.M.S). Watts

Bass Alignment

Power Handling (RMS)

Crossover Frequency

Overall Dimensions (including frame)  
(H x W x D)

Weight (kg)

Finishes

## Sound Frame 2

55Hz – 35KHz

86dB

3 way

1 x 6.5" C-CAM® mid/bass driver with RST®II technology.

1 x 4" IDC® mid-range driver with dual concentric 25mm C-CAM® gold dome tweeter.

8 Ohms

106 dBA

25-100

Sealed Box

100

550Hz & 3.3KHz

790 x 240 x 87 mm  
(31" x 9 7/16" x 3 7/16")

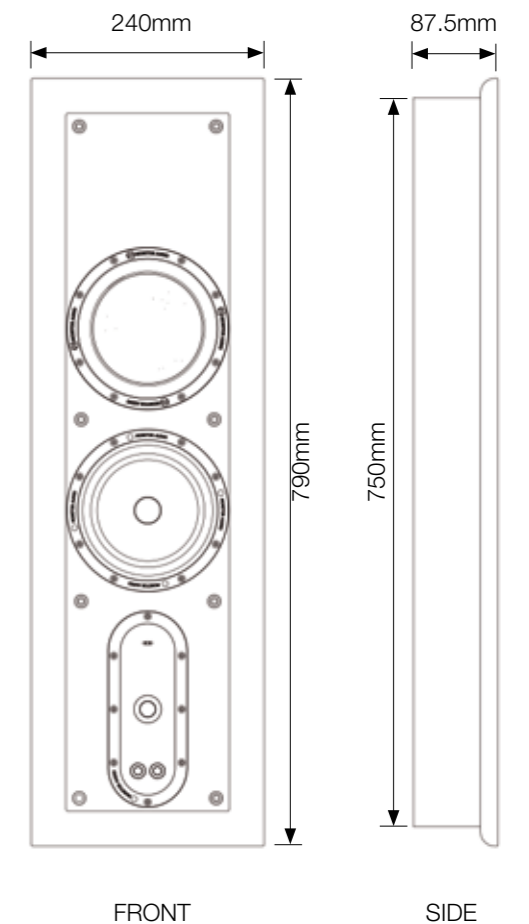
7.06kg

\*Matt white cabinet with white high gloss piano lacquer frame.

\*Matt black cabinet with black high gloss piano lacquer frame.

\*Matt white cabinet with white primed frame (paint-able).

White Lacquer    Black Lacquer





Monitor Audio Ltd  
24 Brook Road, Rayleigh  
Essex, SS6 7XJ  
England  
Tel: + 44 (0)1268 740580  
Fax: + 44 (0)1268 740589  
Email: [info@monitoraudio.co.uk](mailto:info@monitoraudio.co.uk)

[monitoraudio.co.uk](http://monitoraudio.co.uk)  
Designed in the United Kingdom